

# Quest

**METAL  
PRODUCTS  
LIMITED**

## HEAVY DUTY GAS HOT PLATES

(QUALITY — SPEED — ECONOMY)



### PERFORMANCE WITH DURABILITY

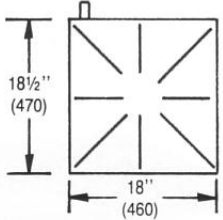
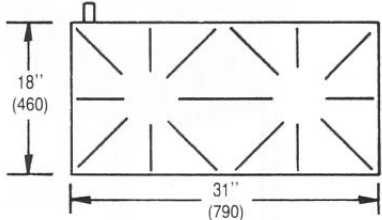
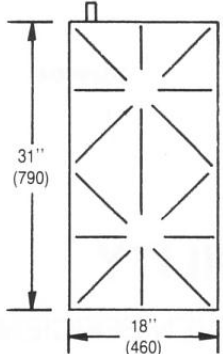
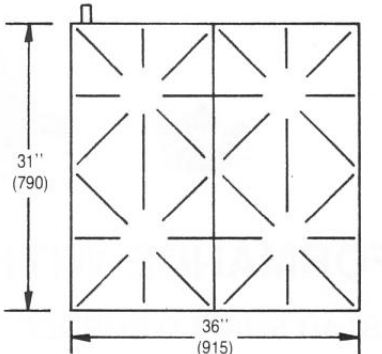
- ✧ LARGE POWERFUL STAR SHAPED BURNERS FOR FAST EVEN EFFICIENT HEAT.
- ✧ PERFECT FOR — RAPID BOILING STOCK  
— SIMMERING SOUPS AND SAUCES.
- ✧ EXTRA RUGGED CAST TOP GRID FOR SUPERIOR DURABILITY AND LARGE STOCK POT SUPPORT.
- ✧ SANITARY, ATTRACTIVE AND EASY CLEANING ALL STAINLESS STEEL BODY, DRIP PAN, LEGS AND ADJUSTABLE FEET.
- ✧ A MODEL FOR ALL APPLICATIONS — SEE OVER FOR STANDARD TOP CONFIGURATIONS (OTHER CONFIGURATIONS AVAILABLE — CONTACT FACTORY FOR DETAILS)

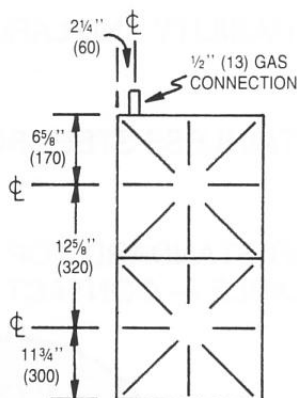
*“The  
Quest for  
the Best  
Ends at  
Quest”*

# Quest

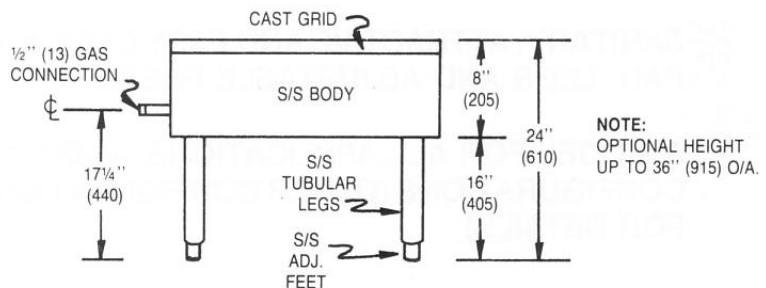
**METAL PRODUCTS LIMITED**  
949 ERIN STREET, WINNIPEG, MANITOBA R3G 2W6

### HEAVY DUTY GAS HOT PLATES

|  |  |
|--|--|
| <p><b>QGHP-1</b></p>  <p>18 1/2" (470)<br/>18" (460)</p> <p>30,000 BTU's</p>            | <p><b>QGHP-2 FRONT CONTROLS</b></p>  <p>18" (460)<br/>31" (790)</p> <p>60,000 BTU's</p>  |
| <p><b>QGHP-D2 END CONTROLS</b></p>  <p>31" (790)<br/>18" (460)</p> <p>60,000 BTU'S</p> | <p><b>QGHP-D4 END CONTROLS</b></p>  <p>31" (790)<br/>36" (915)</p> <p>120,000 BTU'S</p> |
| <p><b>NOTE: OTHER CONFIGURATION AVAILABLE — CONTACT FACTORY FOR DETAILS.</b></p>   |  |



NOTE: PRESSURE REGULATOR REQUIRED FOR NAT. GAS (SET @ 3.5 W.C.)—INSTALLED



APPROVED FOR INSTALLATION ON COMBUSTIBLE SURFACE WITH A MINIMUM CLEARANCE OF 12" TO THE SIDES AND 18" TO BACK FROM ADJACENT COMBUSTIBLE WALLS.

NOTE: DIMENSIONS SHOWN ARE ACCURATE AT TIME OF PRINTING BUT SUBJECT TO CHANGE WITHOUT NOTICE. IF SIZES ARE CRITICAL CONSULT THE FACTORY.

Printed in Canada  
4/90