

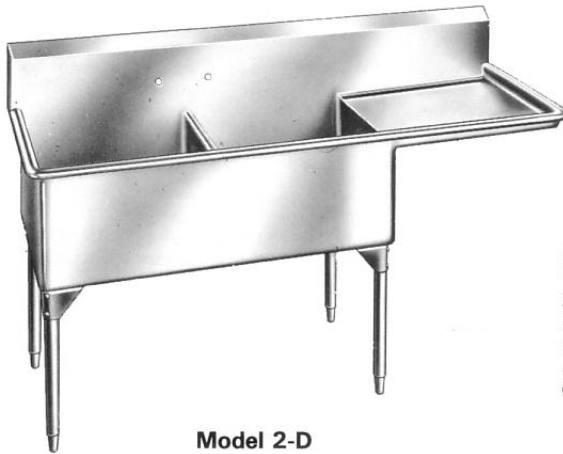
Quest

**METAL
PRODUCTS
LIMITED**

STAINLESS SINKS

Quest stainless steel sinks are manufactured in two complete lines of standard and deluxe models. Each line has the functional design and workmanship that characterizes all Quest products. Both lines are fabricated standardly of 16 gauge polished nickel-chrome stainless steel for long wear, permanent sanitary finish, and pleasing appearance.

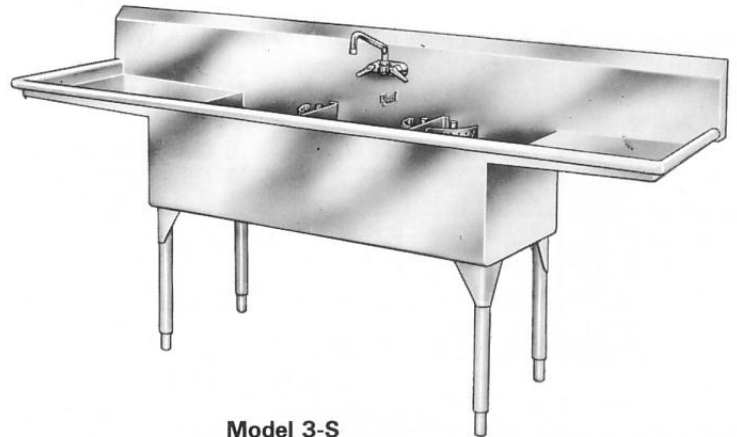
STANDARD SINKS—These sinks are of all welded stainless steel construction with sanitary cove front and back of bottom. They have 1½" (38) roll rims front and ends and an 8" (205) stainless steel splashback returned 2" (50) on top to enclose plumbing lines. Each sink compartment is supplied with a 1½" (38) plated waste and stainless steel standing overflow. A perforated stainless steel removable screen is standard with each compartment and the backsplash has holes punched to accommodate standard swing faucet with hole centres as required.



Model 2-D

DELUXE MODELS—These are ultra sanitary units with all-cove corners as required by sanitary regulations for hospitals, laboratories and large institutional kitchens. All vertical and horizontal corners have a large ¾" (19) radius for easy, thorough cleaning. Drainboards and splashbacks are welded integrally with all joints ground and polished. Stainless steel perforated screens and 1½" (38) wastes and overflows are supplied with each compartment. The excellent Quest workmanship and finish makes these fine deluxe models an outstanding value.

Standard size sinks are illustrated, however units can be made to any size. Heavier material, better workmanship provide better fixtures — count on Quest for Quality.



Model 3-S

The legs are 1½" (41) stainless steel tubing with adjustable bullet feet and stainless gussets welded securely to the sink bottom. Where drainboards are specified these are welded to the sink making an integral unit with positive slope for complete drainage. **A Quest feature is the built-in slope to the drainboard with the 1½" (38) roll rim level with the sink rim and the 8" (205) splashback formed integrally with all joints welded, ground, and polished.**

These standard sinks provide the very best quality and value in a well-designed, sanitary sink, fabricated to take unusually heavy wear and tear.

STANDARD SIZES and SPECIFICATIONS

3-S indicates three compartment standard sink.

2-D indicates two compartment deluxe sinks.

See back of this page for details of standard sizes and specifications.



Model 1-S



*"The
Quest for
the Best
Ends at
Quest"*

Quest

METAL PRODUCTS LIMITED
949 ERIN STREET, WINNIPEG, MANITOBA R3G 2W6

MODELS

STANDARD SINKS—Bottom edge rounded front and back, complete with 1½" (38) corner wastes, overflows, and screens. Legs are stainless steel tubing, fitted with adjustable stainless steel bullet feet. (No exposed thread).

DELUXE SINKS—All corners are covered. Units are fitted with 1½" (38) corner wastes, overflows, and screens. Legs are stainless steel tubing, complete with adjustable stainless steel feet (No exposed thread).

STANDARD MATERIALS—16 GA. S/S No. 4 - STANDARD DEPTH—14" (355)

Model	Comp. Size	Overall Length - Width	Shpg. Weight	Model	Comp. Size	Overall Length - Width	Shpg. Weight	Model	Comp. Size	Overall Length - Width	Shpg. Weight
1S	18"x22" (457x559)	21" (533)	25½" (648)	2S	18"x22" (457x559)	39" (990)	25½" (648)	3S	18"x22" (457x559)	57" (1448)	25½" (648)
	OR	24"x22" (610x559)	27" (686)		25½" (648)	OR	24"x22" (610x559)		51" (1296)	25½" (648)	OR
1D	30"x22" (762x559)	33" (838)	25½" (648)	2D	30"x22" (762x559)	63" (1600)	25½" (648)	3D	30"x22" (762x559)	93" (2362)	25½" (648)
			90 lbs. (40 kgs)				160 lbs. (73 kgs)				240 lbs. (109 kgs)
			110 lbs. (50 kgs)				215 lbs. (98 kgs)				310 lbs. (140 kgs.)
			140 lbs. (64 kgs.)				260 lbs. (118 kgs.)				390 lbs. (177 kgs.)

DRAINBOARDS and UNDERSHELVES

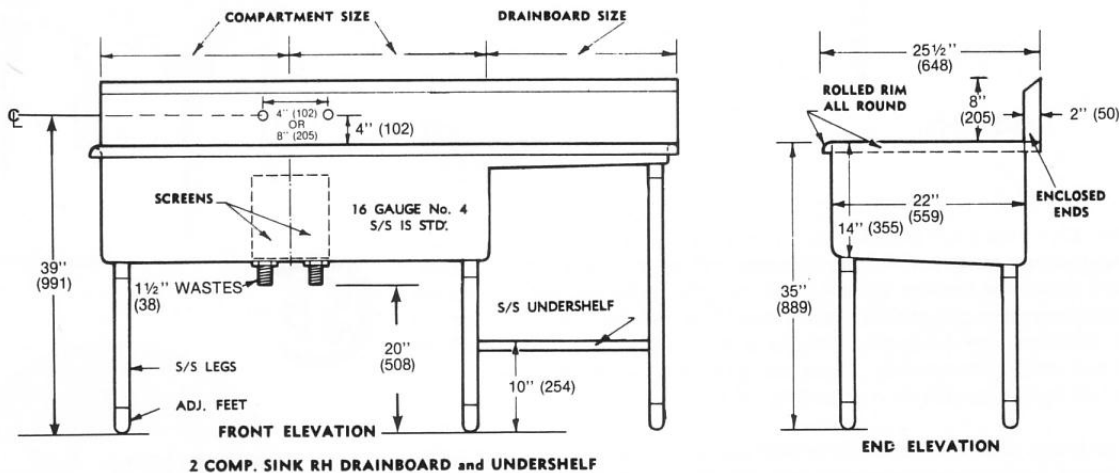
DRAINBOARDS			UNDERSHELVES	
Overall Length - Width	Work Area	Approx. Shipping Weight	Approx. Length - Width	Approx. Shipping Weight
19½"x25½" (495x648)	18"x22" (457x559)	25 lbs. (11 kgs.)	18"x22" (457x559)	15 lbs. (7 kgs.)
25½"x25½" (648x648)	24"x22" (610x559)	30 lbs. (14 kgs.)	24"x22" (610x559)	18 lbs. (8 kgs.)
31½"x25½" (800x648)	30"x22" (762x559)	35 lbs. (16 kgs.)	30"x22" (762x559)	21 lbs. (10 kgs.)
37½"x25½" (953x648)	36"x22" (914x559)	40 lbs. (18 kgs.)	36"x22" (914x559)	24 lbs. (11 kgs.)

OPTIONAL FEATURES AVAILABLE

- 3½" (88) S/S basket type waste, lift-out strainer.
- 2" (50) lever type drain with or without back overflow.
- Drainboards, 18" (457), 24" (610), 30" (762), 36" (914) are standard.
- Support legs for drainboards over 30" (762).
- Fixed undershelves as illustrated below.
- Faucets—swing spout available in sizes of 6" (152) to 18" (457), complete with areators if requested. Faucet hole centres 4" (102) and 8" (205) are standard.
- Special size sinks, drainboards and dishtabling can be made to order. Prices on application.
- Electric immersion elements—prices on application.
- Pot washing equipment can be fitted to standard sinks.

SPECIAL SIZES

Special size and gauge sinks and drainboards made to your requirements, submit rough sketch with sizes and specify gauges and optional extras required. A prompt quotation will be supplied and when order is placed a shop drawing will be provided for your approval. Quest sinks are an outstanding value.



NOTE: Dimensions shown are accurate at time of printing but subject to change without notice. If sizes are critical consult the factory.