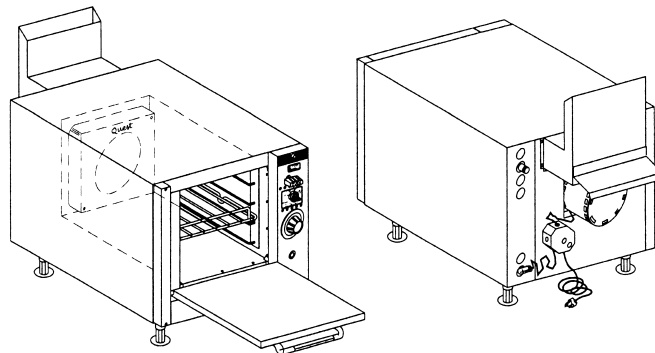


KITCHEN EQUIPMENT SPECIFICATIONS

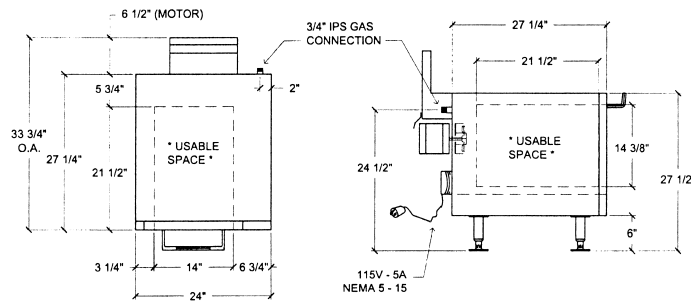


PROJECT:	
ITEM:	
DESCRIPTION:	24" CONVECTION OVEN
QUANTITY:	



PICTORIAL VIEWS
CONVECTION OVEN
SCALE: 1/4" = 1"

PLAN VIEW & SECTION THRU
CONVECTION OVEN - ASSEMBLY DETAILS
SCALE: 3/4" = 1"



SUPPLIER	RUSSELL FOOD EQUIPMENT	
MANUFACTURER	QUEST METAL PRODUCTS LTD.	
MODEL	101-QGROV24 (STANDARD), 101-QGCOV24 (CONVECTION)	
EXTERIOR DIMENSIONS	24" W X 33 3/4"D X 27 1/2"H	
ELECTRICAL	115V/1/5AM, NEMA 5-15 (CONVECTION ONLY)	
MECHANICAL	30,000 BTU, 3/4" IPS GAS CONNECTION @ 24 1/2" A.F.F.	
LIST PRICING - 2007 (SUBJECT TO CHANGE)	101-QGROV24 - \$2,828.00	101-QGCOV24 - \$4,474.00
	STAINLESS STEEL TOP + \$121.00	STAINLESS STEEL TOP + \$121.00
	TWO STACKED - \$6,646.00	TWO STACKED - \$9,938.00