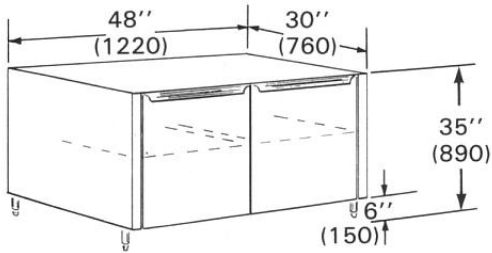


# Quest

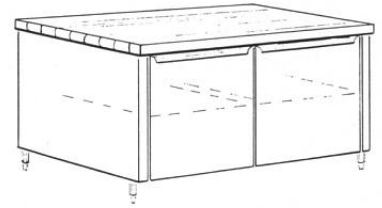
## REFRIGERATED STORAGE AND DISPLAY CASES



**MODEL QUC-R**  
Undercounter Remote Compressor



**MODEL QSW-SCL**  
Work Table Self Contained Compressor  
Stainless or Maple Top

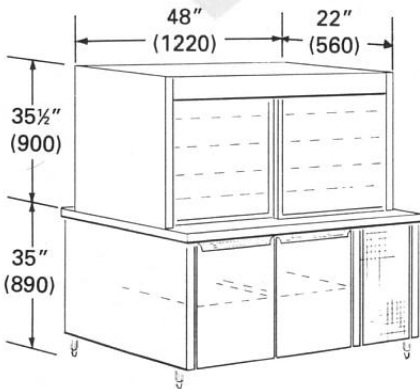


**MODEL QMW-R**  
Work Table Remote Compressor  
Stainless or Maple Top

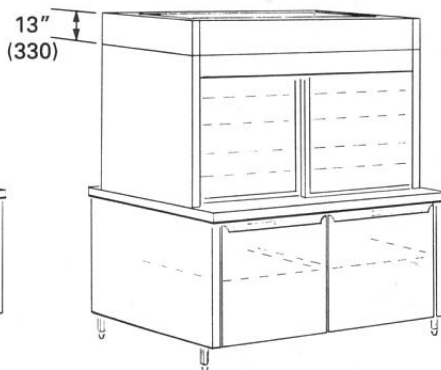


REFRIGERATED STORAGE AND DISPLAY UNITS.  
A MODEL FOR ALL REQUIREMENTS.

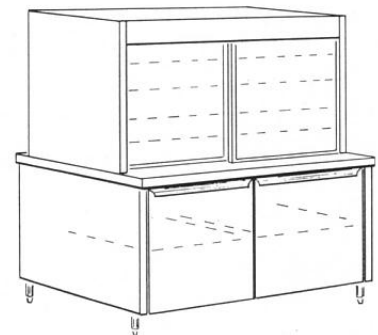
*"The Quest for the Best Ends at Quest"*



**MODEL QFDPT-SCL**  
Display Case  
Self Contained Compressor



**MODEL QFDPT-SCU**  
"UNIQUE" from Quest . . .  
Compressor on top for  
50% more refrigerated lower storage.



**MODEL QFDPT-R**  
Display Case Remote Compressor

(QFD's—2 Coils individually controlled—Ultimate efficiency and exact temperature control.)

All "QFD" upper sections available in pass through, see through, and reach in.

# Quest

**METAL PRODUCTS LIMITED**

949 ERIN STREET  
WINNIPEG, MANITOBA R3G 2W8