

# Quest

SERVERY EQUIPMENT

## BUFFET — “ECONO-MOBILES”

PROUDLY PRESENT YOUR BUFFET AT EXTREMELY AFFORDABLE PRICES. ATTRACTIVE AND DURABLE WOOD GRAIN OR BLACK VINYL FINISH ON BODY WITH SANITARY STAINLESS STEEL TOPS.



ILLUSTRATED:

QCP - 4 EMW (WOOD GRAIN) c/w  
DOUBLE-SIDED SNEEZEGUARD  
& FLUORESCENT LIGHT

RET - 4 EMW (WOOD GRAIN) c/w  
DOUBLE-SIDED SNEEZEGUARD  
& POT-TYPE HEAT LAMPS



### HOT FOOD (RET-EMW OR EMB)

- 500 WATT - DRY WELLS
- INDIVIDUALLY HEATED & CONTROLLED
- 6' CORD AND PLUG
- CONVENIENT 120 VOLT OPERATION
  - 15 AMP - 2 & 3 WELL (STD. WALL OUTLET)
  - 20 AMP - 4 WELL
- VARIETY OF SIZES: 12" x 20" (305 x 510) WELLS
  - RET - 2 EMW OR EMB (2-WELL) - 31" (785)
  - RET - 3 EMW OR EMB (3-WELL) - 45" (1145)
  - RET - 4 EMW OR EMB (4-WELL) - 59" (1500)

### COLD FOOD (QCP-EMW OR EMB)

- INSULATED STAINLESS STEEL ICE PAN
- 1/2" (50) DRAIN c/w BALL VALVE
- OPTIONAL PERFORATED STAINLESS STEEL FALSE BOTTOM (AT REASONABLE ADDITIONAL COST)
- VARIETY OF SIZES:
  - QCP - 3 EMW OR EMB - 45" (1145)
  - QCP - 4 EMW OR EMB - 59" (1500)

### STANDARD FEATURES - BOTH HOT AND COLD UNITS

- ATTRACTIVE DURABLE WOOD GRAIN OR BLACK VINYL LAMINATED ON HEAVY (20 GA.) STEEL
- 29" (735) WIDTH - ACCESS THROUGH ANY DOOR
- QUALITY 4" (100) DIAMETER CASTERS - 2 c/w BRAKES

### OPTIONAL EXTRAS - BOTH HOT AND COLD UNITS

- SINGLE OR DOUBLE-SIDED PLEXIGLAS SNEEZEGUARDS
- HEAT OR DISPLAY POT LIGHTS IN COPPER OR ALUMINUM FINISH SHADE
- FLUORESCENT LIGHTING
- REMOVABLE 8" (200) WIDE STAINLESS STEEL PLATE SHELF
- REMOVABLE LOWER STORAGE ENCLOSURE PANEL

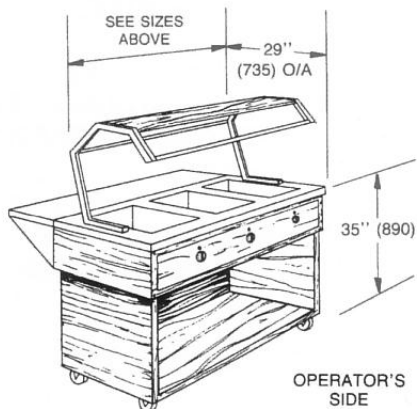
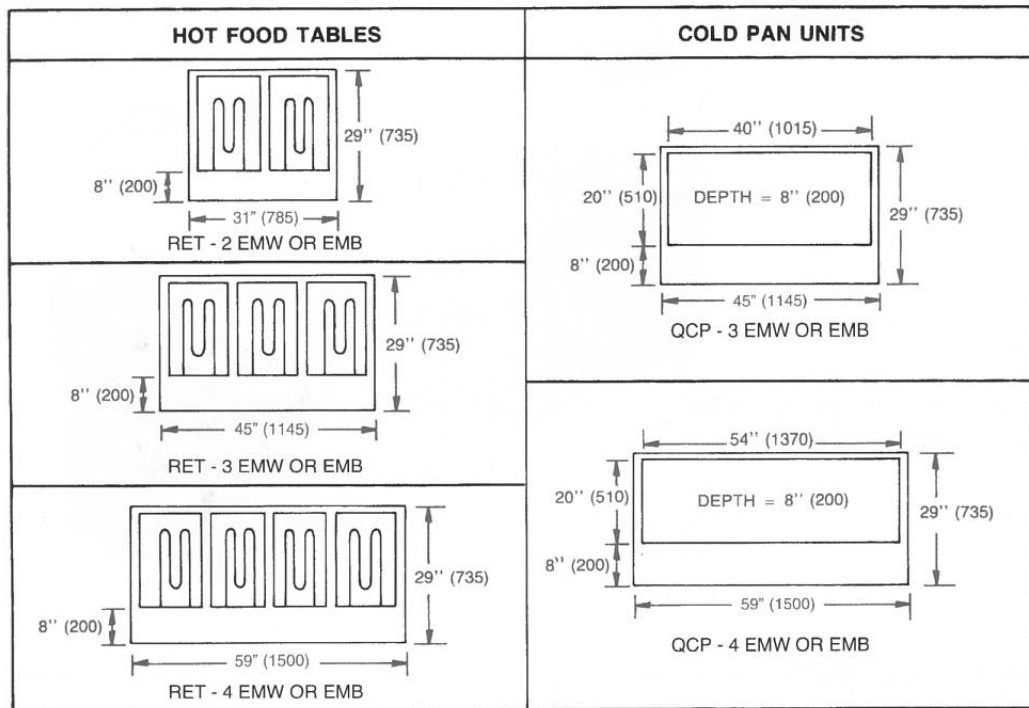
*"The Quest for the Best Ends at Quest"*

# BUFFET - "ECONO-MOBILES"

MODEL	WIDTH	DEPTH	HEIGHT	WATTAGE/VOLTAGE	SHPG. WTS.
RET 2 EMW OR EMB	31" (785)	29" (735)	35" (890)	1000/120	270 (125)
RET 3 EMW OR EMB	45" (1145)	29" (735)	35" (890)	1500/120	360 (165)
RET 4 EMW OR EMB	59" (1500)	29" (735)	35" (890)	2000/120	450 (205)
QCP 3 EMW OR EMB	45" (1145)	29" (735)	35" (890)	N/A	360 (165)
QCP 4 EMW OR EMB	59" (1500)	29" (735)	35" (890)	N/A	450 (205)

**NOTE: 4 WELL HOT FOOD UNITS REQUIRE SPECIAL 20 AMP RECEPTACLE**

BASIC DESIGN FOR DRY HEAT OPERATION. FOR WET, A CONVERTA PAN IS REQUIRED.  
NOTE: INSERTS ARE NOT INCLUDED.

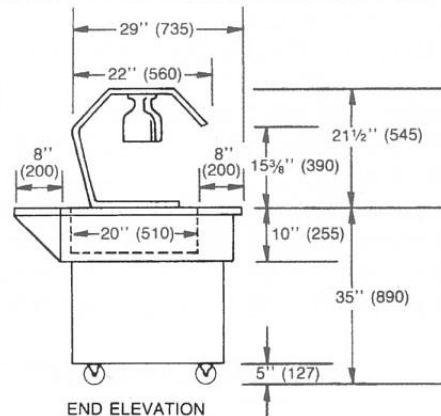


DOUBLE-SIDED SNEEZEGUARD (OPTIONAL)

POT-TYPE HEAT LAMPS (OPTIONAL)

PLATE SHELF REMOVABLE (OPTIONAL)

HOT OR COLD WELL



NOTE: Dimensions shown are accurate at time of printing but subject to change without notice. If sizes are critical, consult your Russell representative or the factory.



**Quest** METAL PRODUCTS LIMITED

949 Erin St., Winnipeg, Manitoba R3G 2W6  
Tel: (204) 786-2403 Fax: (204) 783-7598

Distributed in Canada by:

**RUSSELL** Food Equipment

Victoria / Vancouver / Edmonton / Calgary / Regina  
Saskatoon / Winnipeg / Thunder Bay / Sault Ste. Marie  
Toronto / London / Windsor / Ottawa / Montréal / Halifax

B 113 1298

PRINTED IN CANADA