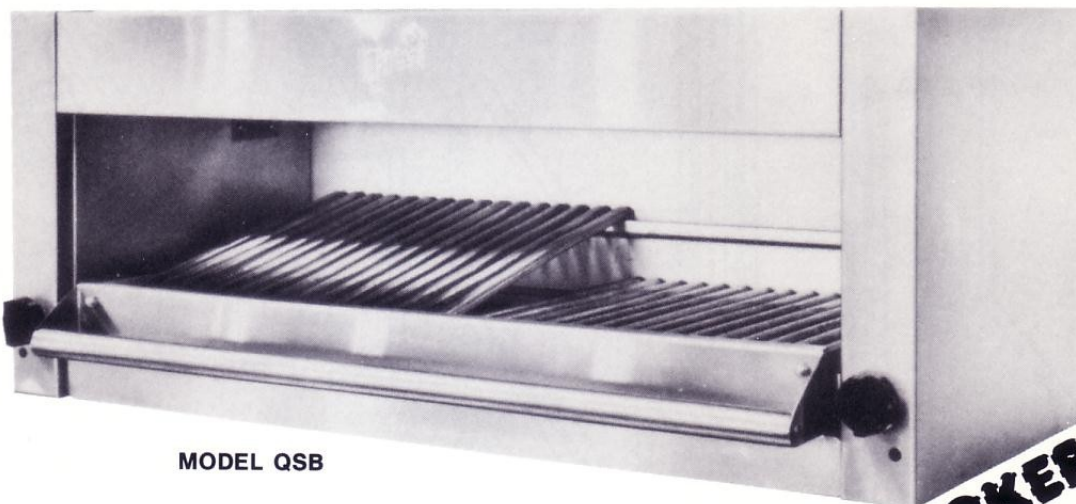


Quest

Gas Salamander Broiler



MODEL QSB

**NO FLICKERING
NO SP-UT-TER-ING**

GET

Even heat

Value

Energy miser

Now!

WITH

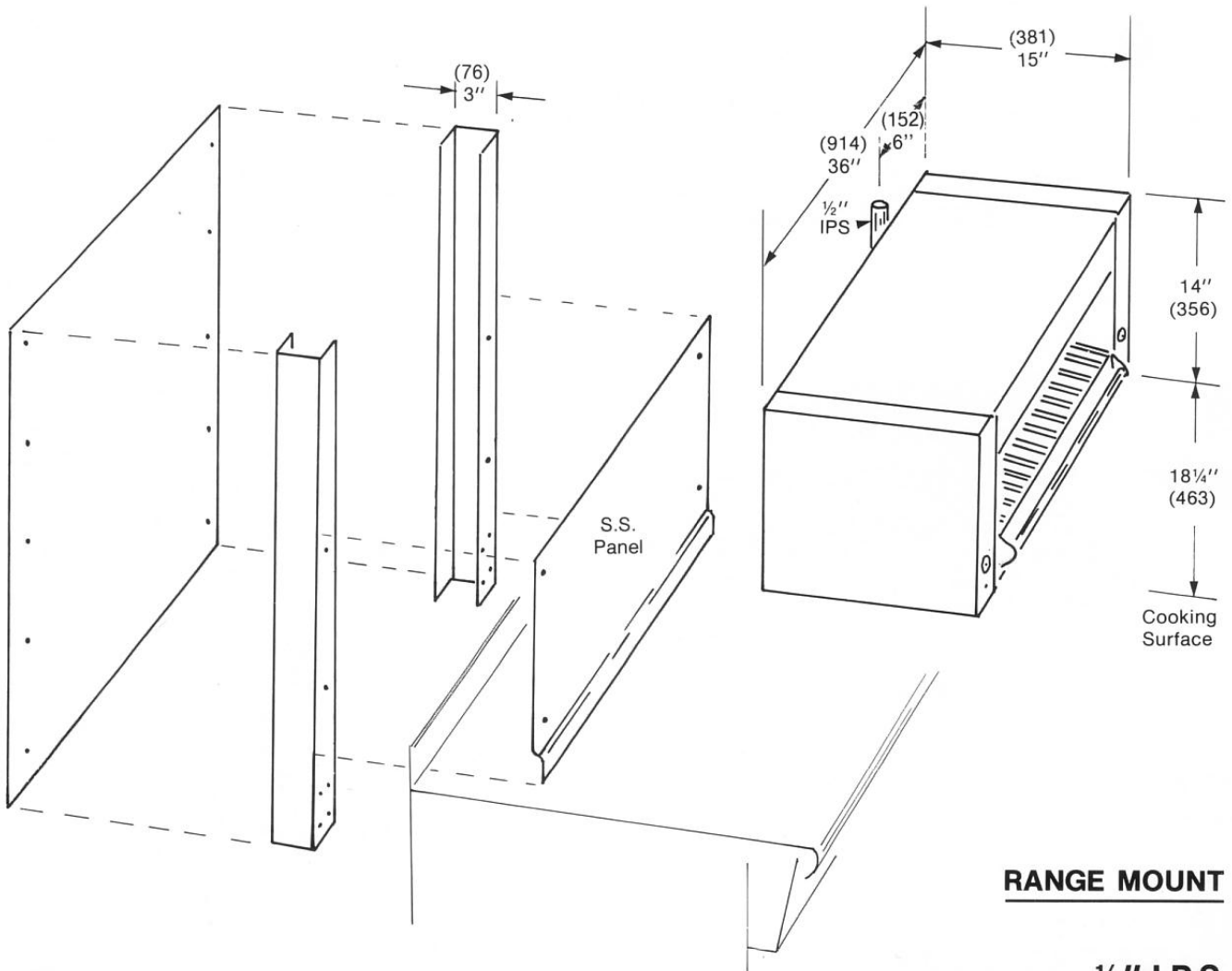
- Throttles extremely low—great for cheese melting, onion soup, crêpes, etc.
- Powerful heat on high—ideal for browning or cooking
- Hi or low—the most even heat salamander available
- True to the *Quest* tradition
- Versatile and durable operation—heavy duty construction
- Stainless steel front and ends standard
- Very competitively priced
- Most rapid heat-up time available in salamanders cooking—10 seconds, full heat—2 minutes
- Leave off between usage—\$\$\$save on fuel bill\$\$\$
- 2 burners, each with Hi-Low valves—accurate temp. control
- Shop and compare—*Quest* is #1
- Finally even heat with efficiency of operation
- Available now from the *Quest* dealer serving your area

FOR INSTALLATION ON COMBUSTIBLE FLOORING WITH MINIMUM CLEARANCE OF 1" TO SIDES AND BACK FROM ADJACENT VERTICAL COMBUSTIBLE CONSTRUCTION.

METAL PRODUCTS LIMITED

949 ERIN STREET
WINNIPEG, MANITOBA R3G 2W6

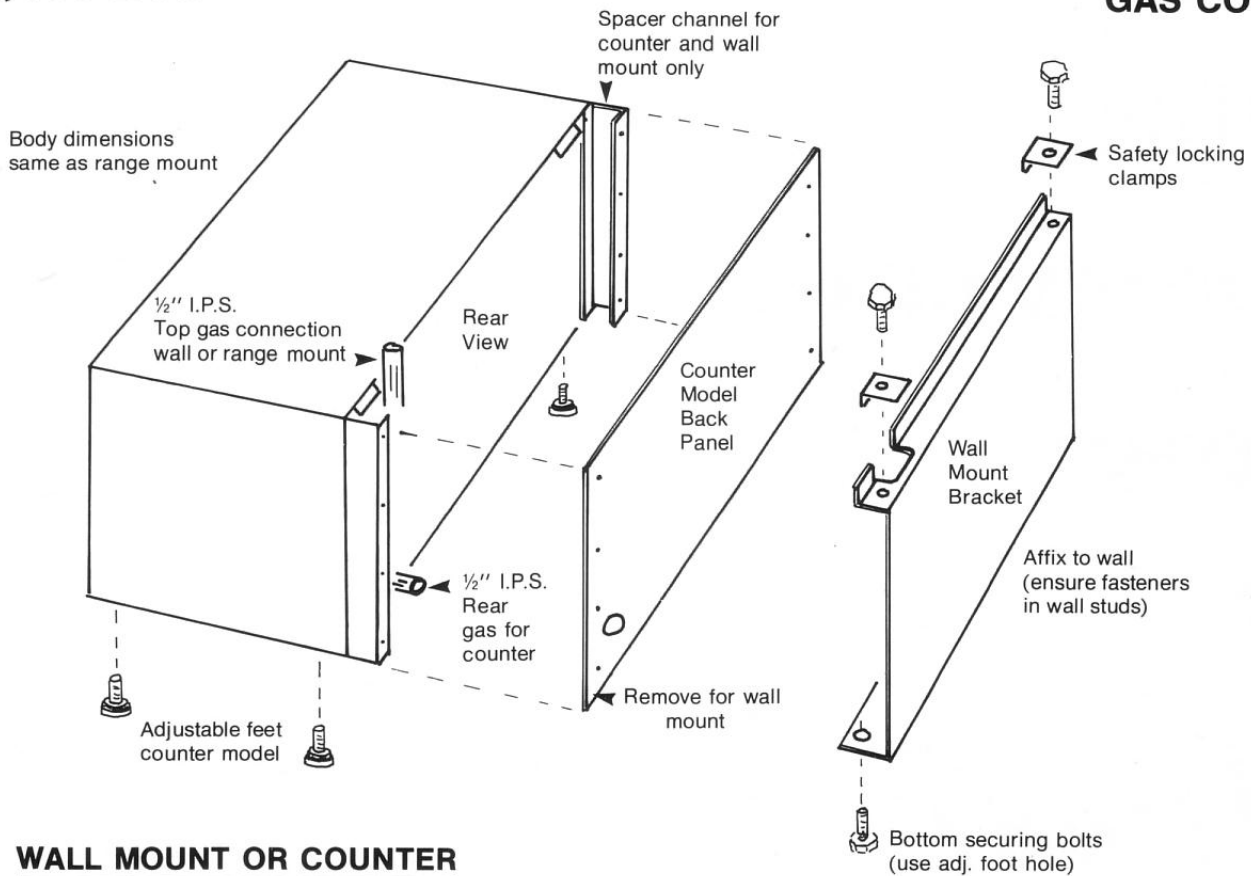
Quest



RANGE MOUNT

49,000 BTU

**1/2" I.P.S.
GAS CONNECTION**



WALL MOUNT OR COUNTER