

Item No. _____

Quantity _____



BEVERAGE-AIR

Commercial Refrigeration Equipment General Specifications

The BM23 and its companion club model BM23C provide mobility with application (home, club, hospitality). With full keg capacity and heavy-duty, forced air refrigeration, beer is dispensed ice cold every time.

Standard construction includes wear resistant vinyl on steel exteriors with black the most popular vinyl choice. Top is made from heavy-duty stainless steel including drip tray for easy cleaning. Glass rail is standard on club model. Club model features glass storage area below an easy glide, stainless steel lid. Four-inch (4") heavy-duty swivel casters are standard.

Three-inch (3") insulated tower with single faucet is included with BM23. BM23C includes 2 1/2" insulated tower with single faucet. Each tower is adapted to have a continuous source of cold air channeled into it to keep beer at its coldest, best quality when dispensed.

Inside construction utilizes galvanized steel for walls and ceiling. Reinforced floors and doorsill are made from heavy-duty stainless steel to provide lasting service. Door is self-closing with key lock. Magnetic gasket provides positive door sealing.

Cabinet insulation is foamed-in-place polyurethane (CFC free) which helps to provide maximum operating efficiency and strengthen the overall construction. Refrigerant used is R134a, which is CFC free for full compliance to all environmental concerns. A cord and plug is provided for electrical connection.

DRAFT BEER EQUIPMENT BARMOBILE PORTABLE DRAFT BEER DISPENSERS BM SERIES

MODELS:
BM23
BM23C



BM23



BM23C



Made in USA
<http://www.Beverage-Air.com>
<http://CCR.Carrier.com>



BEVERAGE-AIR

PO Box 5932, Spartanburg, SC 29304
1-800-845-9800 Fax No. 1-864-582-5083

Model Specified _____ Store# _____

Location _____ Quantity _____

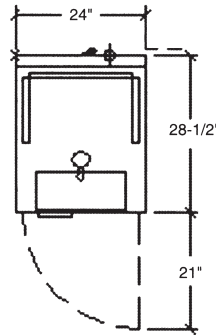


BEVERAGE-AIR

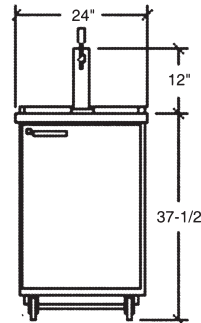
Barmobile

Models: BM23/BM23C

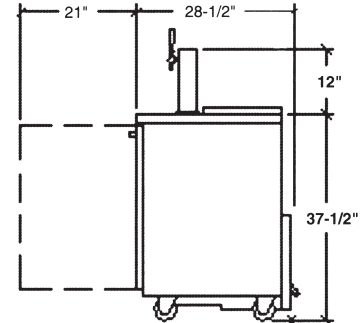
MODEL	BM23	BM23C
EXT. DIMENSIONAL DATA		
Net Capacity (cubic ft.)	7.8	7.8
Net Capacity (liters)	198	198
Length Overall (inches)	24"	24"
Length Overall (mm)	609	609
Depth (inches) less handle	28 1/2"	28 1/2"
Depth (mm) less handle	724	724
Height Overall (3" Casters) (mm)	37 1/2"	39"
Depth with Door Open 90°	49 1/2"	49 1/2"
Clear Door Width (inches)	19 3/4" x 27 3/4"	19 3/4" x 27 3/4"
Number of Shelves	1	1
Number of Kegs (straight wall)	1	1
ELECTRICAL DATA		
Full Load Amperes 115/60/1	4.0	4.0
Full Load Amperes 220/50/1	2.1	2.1
REFRIGERATION DATA		
Refrigerant	134a	134a
Horsepower	1/5	1/5
WEIGHT DATA		
Gross Weight (Crated lbs)	167	171
Gross Weight (Crated kg)	75.8	77.6



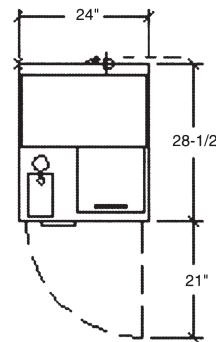
BM23 Top



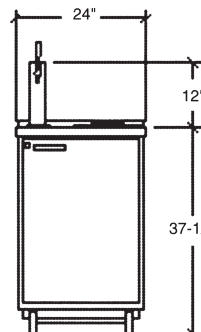
BM23 Front



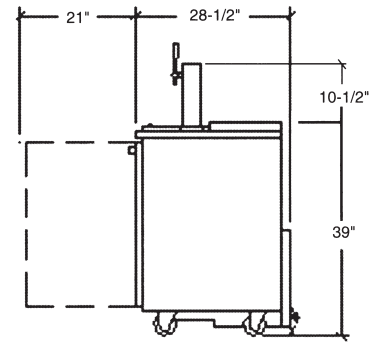
BM23 End



BM23C Top



BM23C Front



BM23C End



Available From:



BEVERAGE-AIR

PO Box 5932 • Spartanburg, SC • 29304 • USA
 1-800-845-9800 • Fax No. 1-864-582-5083
 www.Beverage-Air.com